

Revision Notes.				
R1 -				
APA: -	Drawn: -	Checked:-	Approved:-	Date: -

CHANGES FROM BASE PRODUCT UDS-001DP (3749) TO UDS-001DP(TA) (5633B)

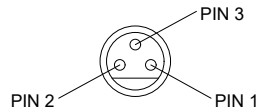
CHANGE:

1. FREQUENCY OF DISPLAY AUDIBLE WARNING HALF OF THAT OF NORMAL AUDIBLE WARNING.
2. NO AUDIBLE WARNING GREATER THAN 1.5 METRE DETECTION.
3. UDS-001DP CBL-LBL REPLACED WITH UDS-001DP(TA) CBL-LBL.

OPERATION:

1. REDUCED AUDIBLE WARNING FREQUENCY.
2. ADDED MUTE FUNCTION.
3. "A SENSORS" ARE ASSIGNED TO LEFT SEGMENTS AND "B SENSORS" ARE ASSIGNED TO RIGHT SEGMENTS.

VIEW A

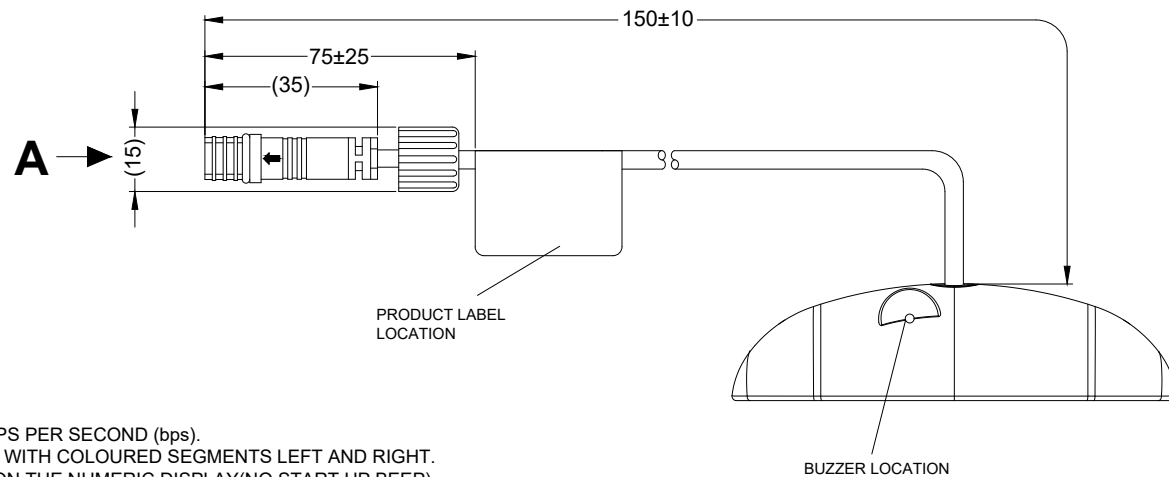
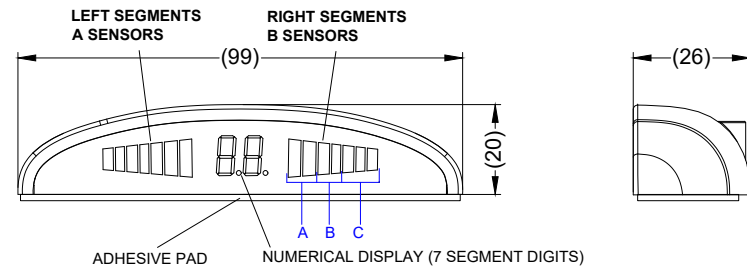


3 PIN FEMALE MATING FACE

PIN #	WIRE COLOUR	DESCRIPTION
1	BLACK	GND
2	RED	PWR
3	WHITE	SIGNAL

DISPLAY PROPERTIES

SEGMENT	COLOUR	DETECTION ZONE	AUDIO	ILLUMINATED ON DETECTION
A	RED	INNER	CONSTANT TONE	A,B,C
B	AMBER	MIDDLE	2 bps	B,C
C	GREEN	OUTER	NO TONE	C



NOTES:

1. SOFTWARE VERSION: DIC-30017-20-1
2. ALL AUDIBLE WARNINGS ARE MEASURED IN BEEPS PER SECOND (bps).
3. VISUAL WARNING IS NUMERICAL AND IN METRES WITH COLOURED SEGMENTS LEFT AND RIGHT.
4. POWER ON IS INDICATED BY TWO DASHES (- -) ON THE NUMERIC DISPLAY (NO START UP BEEP).
5. AUDIBLE WARNING DISABLED BY SWITCH 1 ON BS-4000W(TA)-ECU (5620B).
6. AUDIBLE WARNING VOLUME IS FIXED AT 76±5dB @ 30CM.
7. SELF ADHESIVE PAD IS STUCK ON THE BOTTOM FOR FIXING TO SMOOTH SURFACE.
8. BLACK TEXTURED POLY CARBONATE PLASTIC.
9. FOR PACKAGING AND LABELING REFER TO MASTER BILL OF MATERIALS.
10. ONLY TO BE USED WITH BS-4000W(TA)-ECU(5620B).

PROPRIETARY NOTICE

THIS DESIGN AND TECHNICAL INFORMATION APPEARING ON THIS DRAWING IS THE PROPERTY OF BRIGADE ELECTRONICS, AND IS DISCLOSED IN CONFIDENCE. IT IS NOT TO BE COPIED, REPRODUCED, REVEALED TO OR EXPROPRIATED BY OTHERS, EITHER IN WHOLE OR IN PART WITHOUT THE EXPRESS WRITTEN CONSENT OF BRIGADE ELECTRONICS.



Assembly Pl Approval A. YAO	Approved by R. PENTLEY	Checked by A. KEBEDE	Drawn by J. TYRRELL
Angle of Projection 	Units mm	Scale N/A	Released 25/02/20
	Status RELEASED	Assembly Ref UDS-001DP(TA)	
	Part No 5633B	BE-004289-00-19	